



## USG BORAL LINEA™ SLIM CEILING SYSTEM

### Slim Baffle Type Submittal Sheet

The USG Boral Linea™ Slim Ceiling System introduces a unique design element to any space and is a striking addition whether it is installed throughout an entire room or just serves as an accent. Both the style and spacing is customisable and the system can also be installed on either vertical or curved surfaces.

The USG Boral Linea™ Slim ceiling panels can be easily installed and uninstalled for accessibility.



[USGBoral.com](http://USGBoral.com)

Gypsum Boards

Ceilings

Compounds

Metal Framing

Substrates

# USG Boral Linea™ Slim Ceiling System

## Slim Baffle Type

### Features and Benefits

- A smaller panel width version of the Linea Simplicity
- An open ceiling design with bolt on panels provides a unique design element to any space
- Can also be installed on either vertical or curved surfaces
- Panel spacing and ends can be varied to suit ceiling and wall curvatures
- Bolted bracket holds panels safely in place and can be easily removed for accessibility
- A wide range of colors and wood tones to achieve a customised effect
- Individually replaceable panels

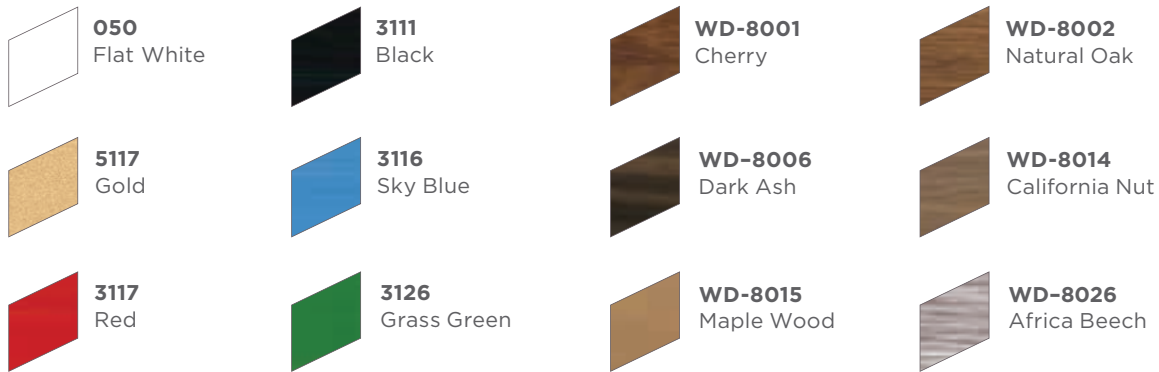
### Applications

- Entertainment Venues
- Galleries
- Lounges
- Foyers
- Corridors
- Commercial Spaces

### Material

- Aluminium

### Color Options



Over 45 colors and 26 wood look options.

Please refer to USG BORAL Series 2000-5000 and Wood Look Aluminium Metal Ceilings Color Guide. Due to printing limitations, shades may vary from actual product.

## Product Information

### Panel Dimension Options

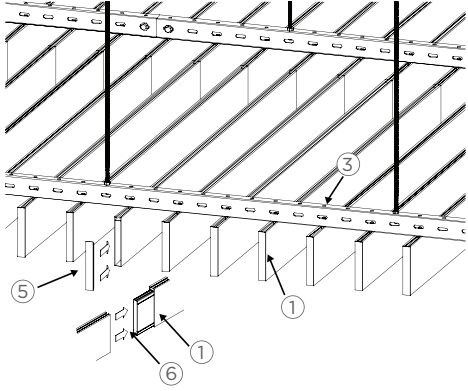
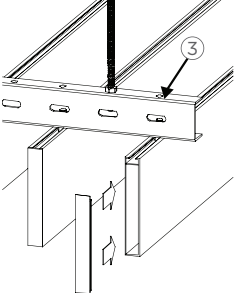
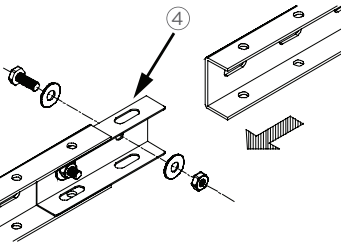
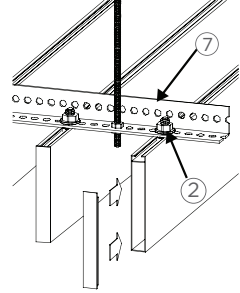
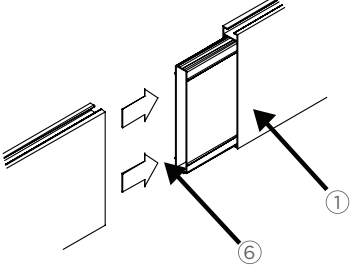
Item Number	Panel Dimensions W x H (mm)	Panel and Suspension System Weights (kg/m <sup>2</sup> )
UL4-1550	15 x 50	7.24
UL4-1575	15 x 75	8.66
UL4-15100	15 x 100	9.89
UL4-15150	15 x 150	17.44

Maximum panel length of up to 4000mm available.

Calculated panel and suspension system weights are based on:

- Carrier rails spaced at 1200mm centre to centre
- Panels spaced at 100mm centre to centre

## Suspension System Components

Suspension System Detail	Number	Item Number	Description
	1	UL4-PANEL	Ceiling panel
	2	UL-101M6-B	UL4 bracket
	3	AA-102A	UL4 carrier
	4	AA-107A	UL4 carrier connector
	5	UL4-104	UL4 end cap
	6	UL4-105	UL4 panel connector
	7	WG-101	UL4 perforated L-angle
End Cap Installation Detail	Connection Detail		
			
			

The ceiling is suspended by UL4 carriers (3) and UL4 brackets (2). The distance between each carrier is about 1200mm. The carrier connector (4) is used to connect two carriers for a continuous layout. The carriers are made of galvanised steel.

## Technical Data and Notes

### Material

Extruded Aluminium

Minimum material thickness 1.0mm. Maximum panel length of 4000mm. Please advise USG Boral of project specific panel lengths for minimum material thickness recommendation

### Finishing

Electrostatically applied polyester powder coating. Minimum coating thickness of 60 microns. Very low VOC emissions. Optional PVF2 coating

### Warranty

Please refer to Metal Ceiling Warranty CW2015B

### Installation

Please refer to USG Boral Linea Ceiling System Technical Manual (Installation Guide) TM\_C\_LS\_1117

Tests	Standards	Performance
Surface burning characteristics	ASTM E84	Flame Spread Index = 10 Smoke Developed Index = 0
Dimensional tolerance	BS 8290-2	Comply within allowable limits
Non-combustibility test for materials	BS 476-4	Non-combustible
Fire propagation and surface spread of flame of products	BS 476-6 & 7	Class 0
Organic emissions from indoor materials or products	ASTM D5116	Below allowable limits of emission rates in GBCA guide
Analysis of pyrolysis and combustion gases	NF X 70-100	Below allowable limits of IDLH values in NIOSH guide

Safety First! Follow good safety or industrial hygiene practices during installation. Wear appropriate personal protective equipment. Read SDS and literature before specification and installation.



Australia  
China  
India  
Indonesia  
Malaysia  
Middle East  
New Zealand  
**Philippines**  
Singapore  
South Korea  
Thailand  
Vietnam

3rd Floor 108 Central Building A  
108 E. Rodriguez Jr. Avenue, Bagumbayan,  
Quezon City, Philippines 1110  
T: +63 2 911 6709 | F: +63 2 911 6709 ext. \*98  
[info.ph@usgboral.com](mailto:info.ph@usgboral.com)